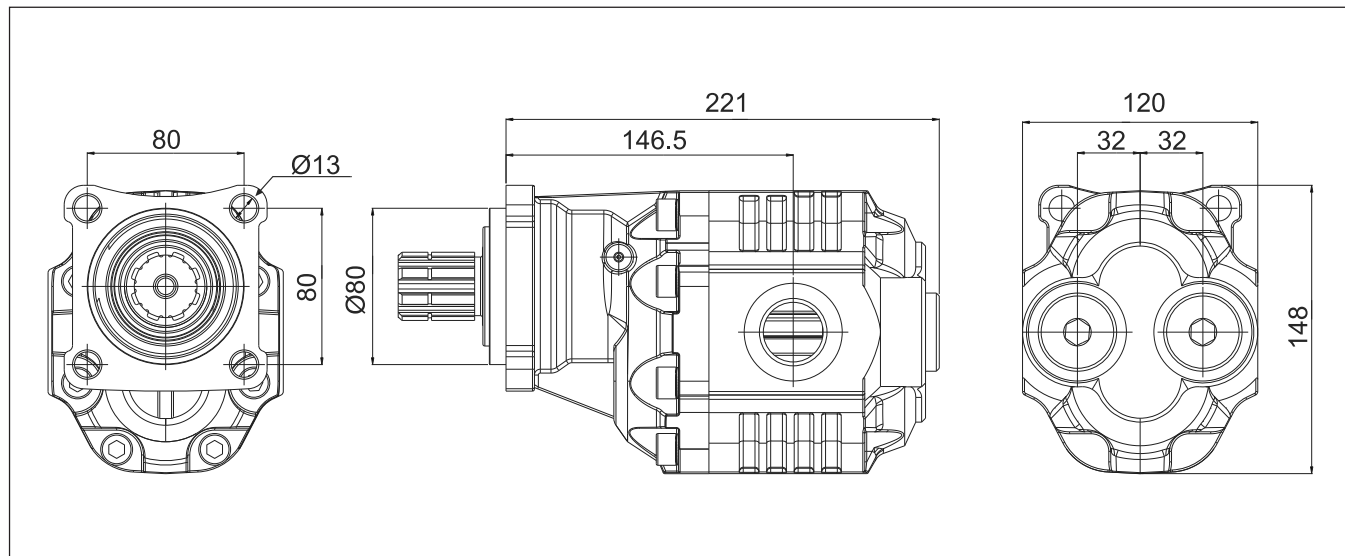


HYVA GEAR PUMPS



EXTERNAL GEAR TYPE - RSC SERIES

Hyva	gear pump type :	gear pump 082L - BI - 4H5 - 4P
page # 1 / 1	part number :	145 62 325
	rotation :	bi-rotational



specifications

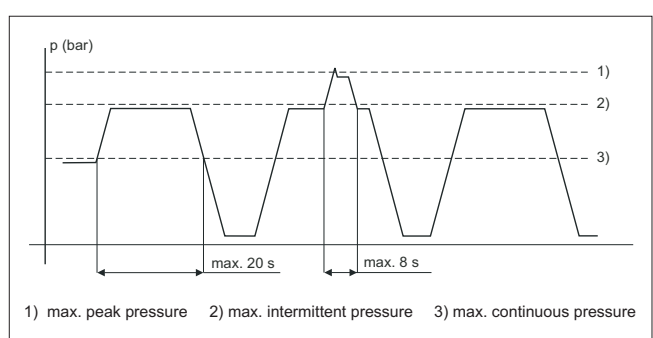
displacement per revolution	:	81,68	cm ³
maximum peak pressure	:	230	bar
maximum intermittent pressure	:	225	bar
maximum continuous pressure	:	205	bar
maximum speed without load	:		min ⁻¹
max. speed at intermittent press.	:	2500	min ⁻¹
min. speed at intermittent press.	:	300	min ⁻¹
oil temperature range	:	-25⇄80	°C
inlet pressure range (suction side)	:	0.7⇄3	bar (abs)
recommended oil viscosity range	:	12⇄100	mm ² /s (cSt)
maximum starting viscosity	:	750	mm ² /s (cSt)
filtration :			
- working pressure < 200 bar	:	25	µm
- working pressure > 200 bar	:	10	µm
connection :			
- inlet - straight internal thread	:	1	" B.S.P.
- outlet - straight internal thread	:	1	" B.S.P.
minimum suction hose bore diameter	:	1,75	inch
shaft DIN 5462	:	8*32*36	mm
mass	:	+/-15	kg

efficiency diagram on request

power and torque

Pressure (bar)	50	100	150	200	225
Torque (Nm)	75	142	205	266	294
Power (kW)					
500	4	7	11	14	15
1000	8	15	21	28	31
1500	12	22	32	42	46
2000	16	30	43	56	62
2500	20	37	54	70	77
Flow (L/min.)					
500	39	39	38	38	38
1000	79	77	76	75	75
1500	118	116	114	113	113
2000	157	154	152	151	151
2500	196	193	190	189	188

pressure definition



hydraulic pump symbol

