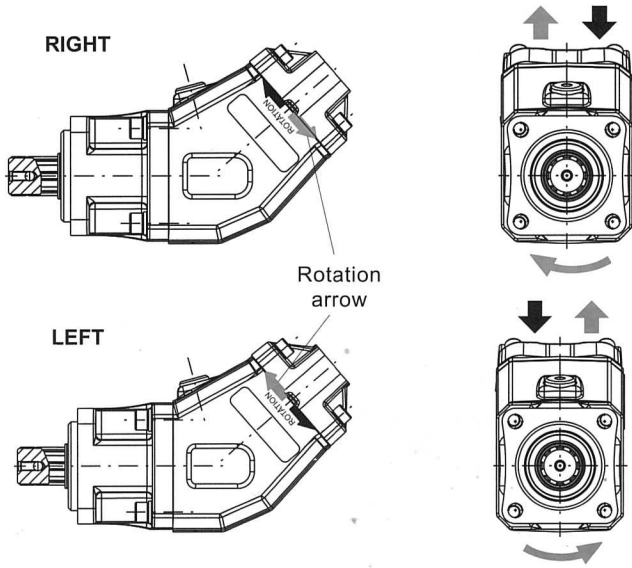


DIRECTION OF ROTATION

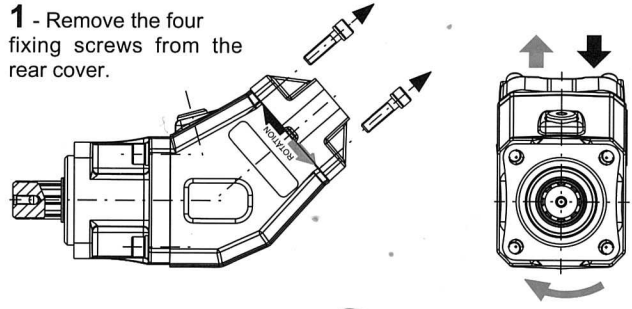
The direction of rotation is determined looking on the drive shaft. The drawing below shows the inlet and outlet tubing position according to the direction of rotation.



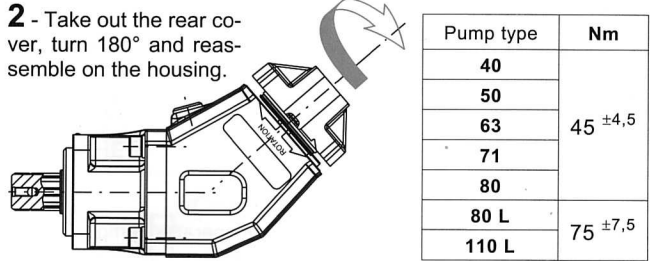
INSTALLATION

Make sure the direction of rotation of the pump is in accordance with the direction of rotation of the drive shaft (if not, change the pump rotation as shown on page 5). When the pump is installed above the tank oil level the inlet port must always be above the outlet port. **FILL THE PUMP WITH OIL** before start-up.

1 - Remove the four fixing screws from the rear cover.



2 - Take out the rear cover, turn 180° and reassemble on the housing.



Pump type	Nm
40	45 ±4,5
50	
63	
71	
80	75 ±7,5
80 L	
110 L	

3 - Fit and tighten the fixing screws applying the torque values shown in the table.

